

4CH Encoder

TCS-400

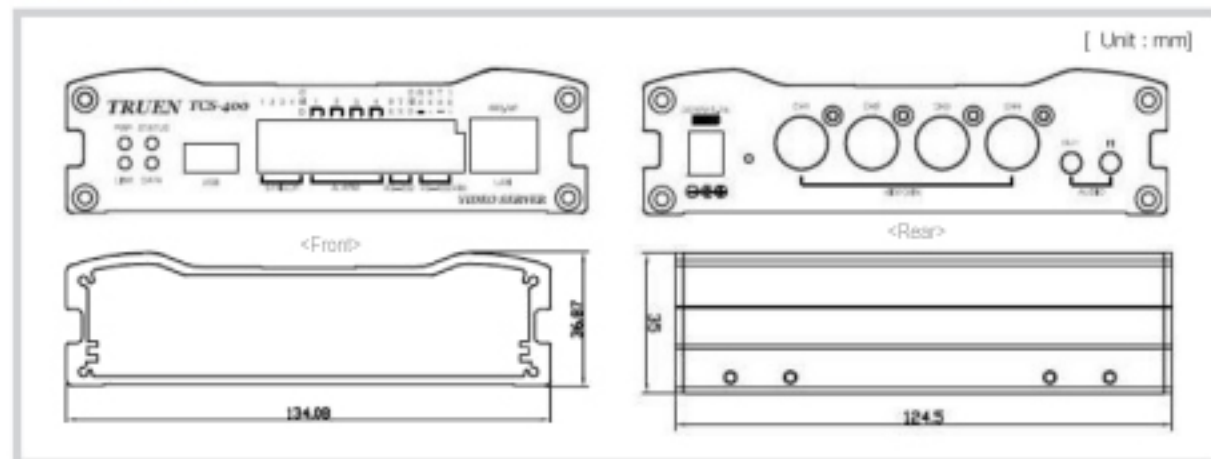


- Each Channel 30fps at Full D1 Resolution
- Dual Streaming (H.264/H.264, H.264/MJPEG)
- 4CH Encoder
- Two Way Audio Communication (G.711, AAC)
- 4 x Composite Video Input
- PoE (Power Over Ethernet)

Features

- > USB Recording
- > Watchdog for System Recovery
- > RS-232, RS-422/485 Communication
- > Motion Detection
- > 4CH Sensor Input / 4CH Alarm Output
- > Adjustable Video Bit Rate : 32kbps ~ 8Mbps
- > Adjustable Video Data Bandwidth : 2,400bps ~ 115,200bps
- > Various Protocols : TCP/IP, Multicast, UDP, HTTP, SMTP, FTP, DHCP, DNS, Dynamic DNS, RTP, RTSP, SNMP
- > Full Technical Support with SDK & API

Dimension



Specification and design are subject to change without prior notice

Specification

Model		TCS-400
System	System Mode	Encoder
Network	Network Interface	Ethernet 10/100Base-T (RJ-45)
	Network Protocol	TCP/IP, UDP, Multicast, DHCP, SMTP, HTTP, SNMP, RTP, RTSP
Video	Standards	Main Stream: H.264
		Secondary Stream: H.264
	Data Rate	32Kbps ~ 2Mbps
	Resolution	NTSC : 720x480, 720x240, 352x480, 352x240
		PAL : 720x576, 720x288, 352x576, 352x288
	Max Frame Rate	NTSC : Max 30fps / PAL : Max 25fps
	Frame Rate Range	NTSC : 0.2 ~ 30fps / PAL : 0.2 ~ 25fps
	Input	4 x Composite (1 Vpp 75 Ohm, BNC)
Motion Detection	Sensitivity Adjustment	
Audio	Standards	G.711, AAC
	Sample Rate	G.711: 8KHz, AAC: 32KHz
	Data Rate	G.711: 64Kbps, AAC: 64Kbps, 128Kbps
	Input	1 x Line-In (Mini-stereo, Single Mono)
	Output	1 x Line-Out (Mini-stereo, Single Mono)
Serial	Port 1	1 x RS-232 (Terminal Block)
	Port 2	1 x RS-422/485 (Terminal Block)
	Data Rate	2,400bps ~ 115,200bps
Sensor Alarm etc	Sensor Input	4 x NO Contact (Terminal Block)
	Alarm Output	4 x NO Contact (Terminal Block)
	Beep	1 x Buzzer 88dB Min
	Reset Button	1 x Factory Reset Button
User Interface	System Status	LED
Storage	Recording/Backup	1 x USB 2.0 Port
Software	VMS	Live Monitoring, Recording, Search & Playback, Backup
Physical	Dimension	134(W) X 125(D) X 35(H)mm
	Weight	486g
	Power Source	DC 12V/0.5A, PoE(Power over Ethernet): 802.3af
	Power Consumption	Max 6W
	Operating Temp.	-10°C ~ 50°C / 14°F ~ 122°F

Specification and design are subject to change without prior notice